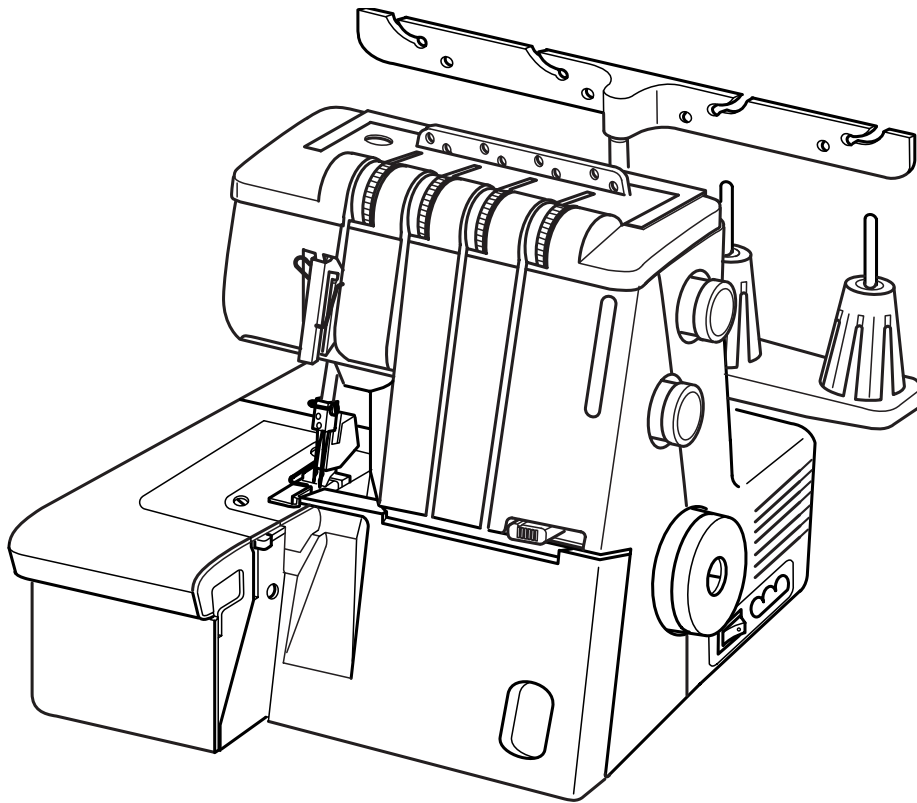
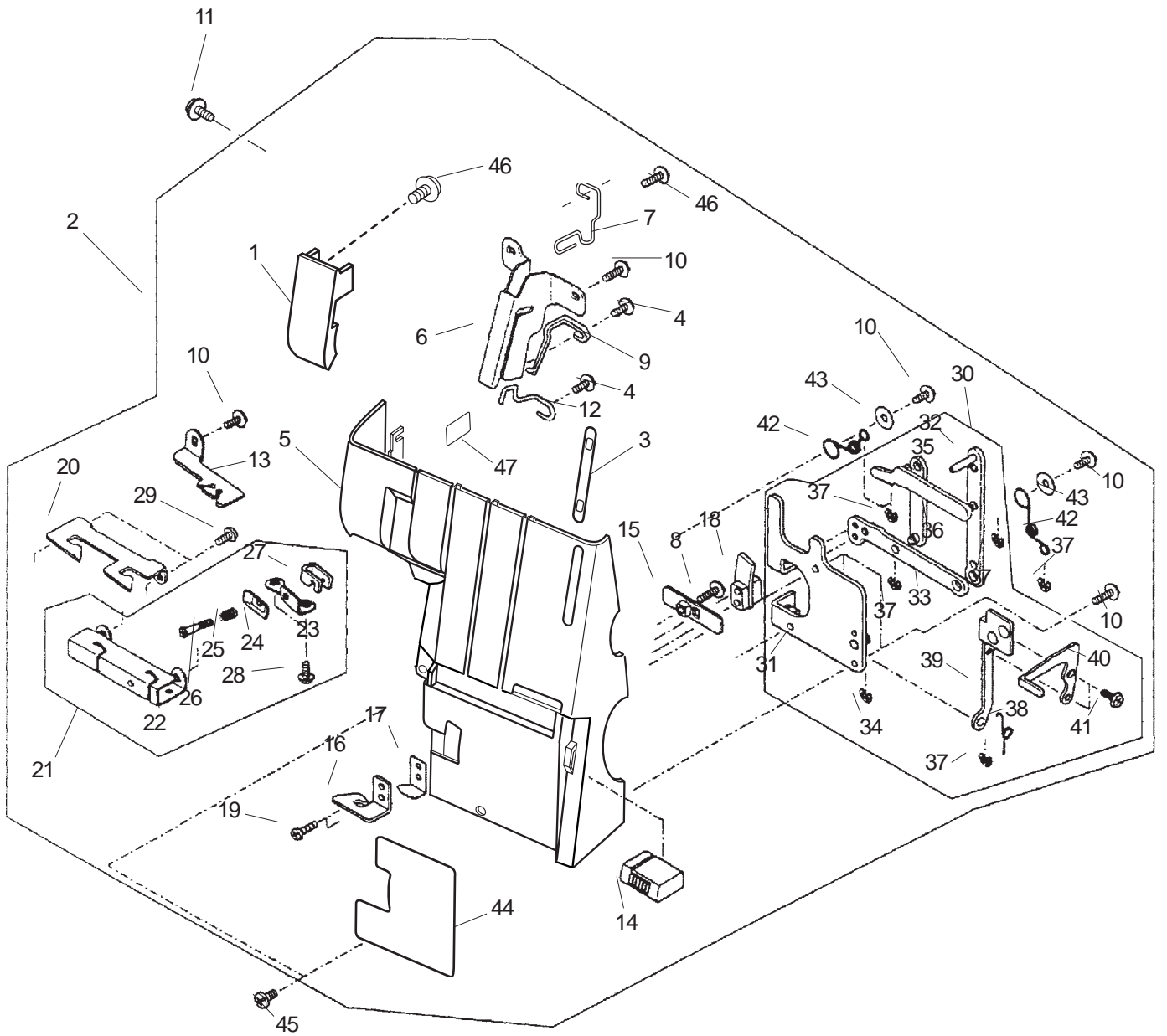


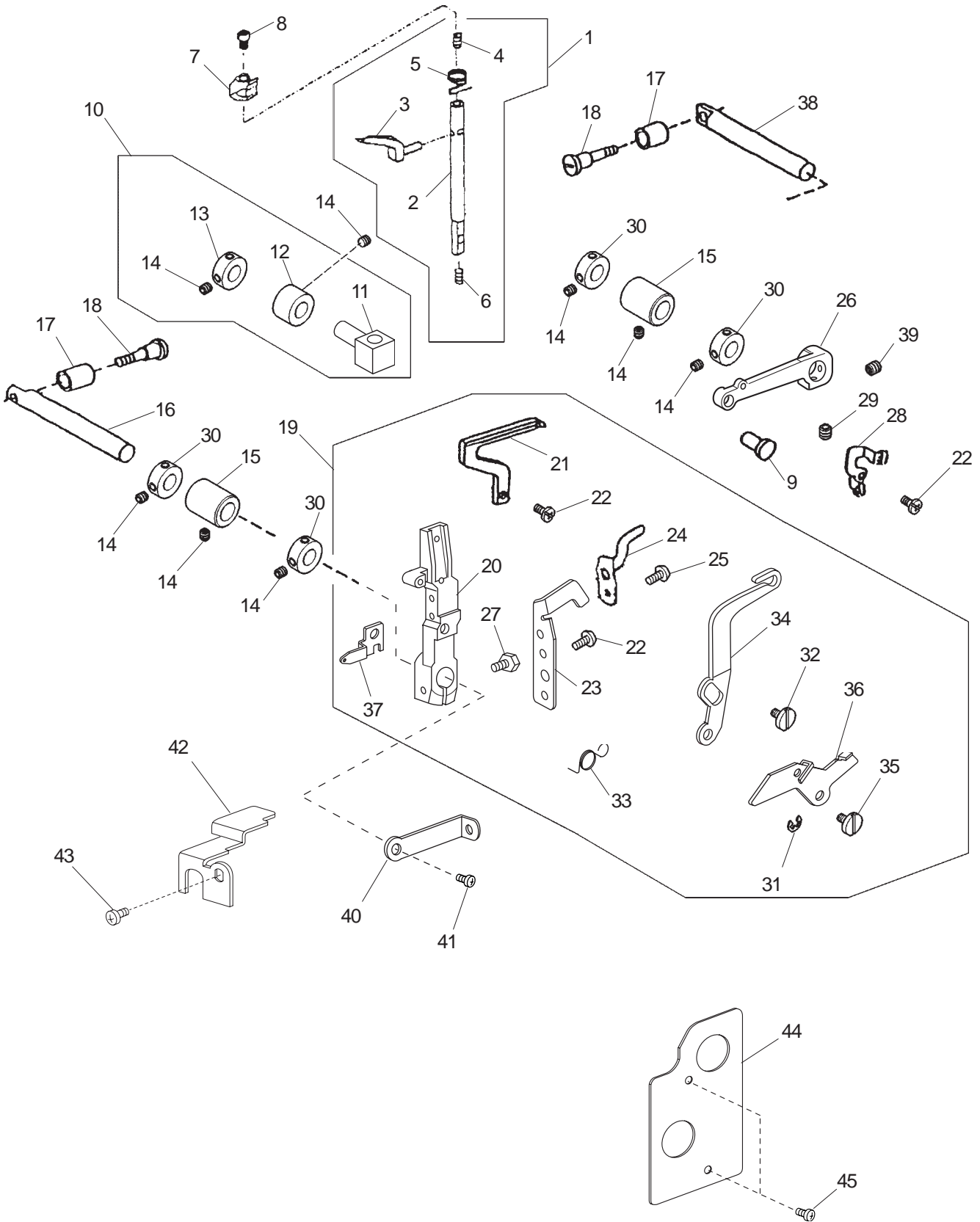
# PARTS LIST



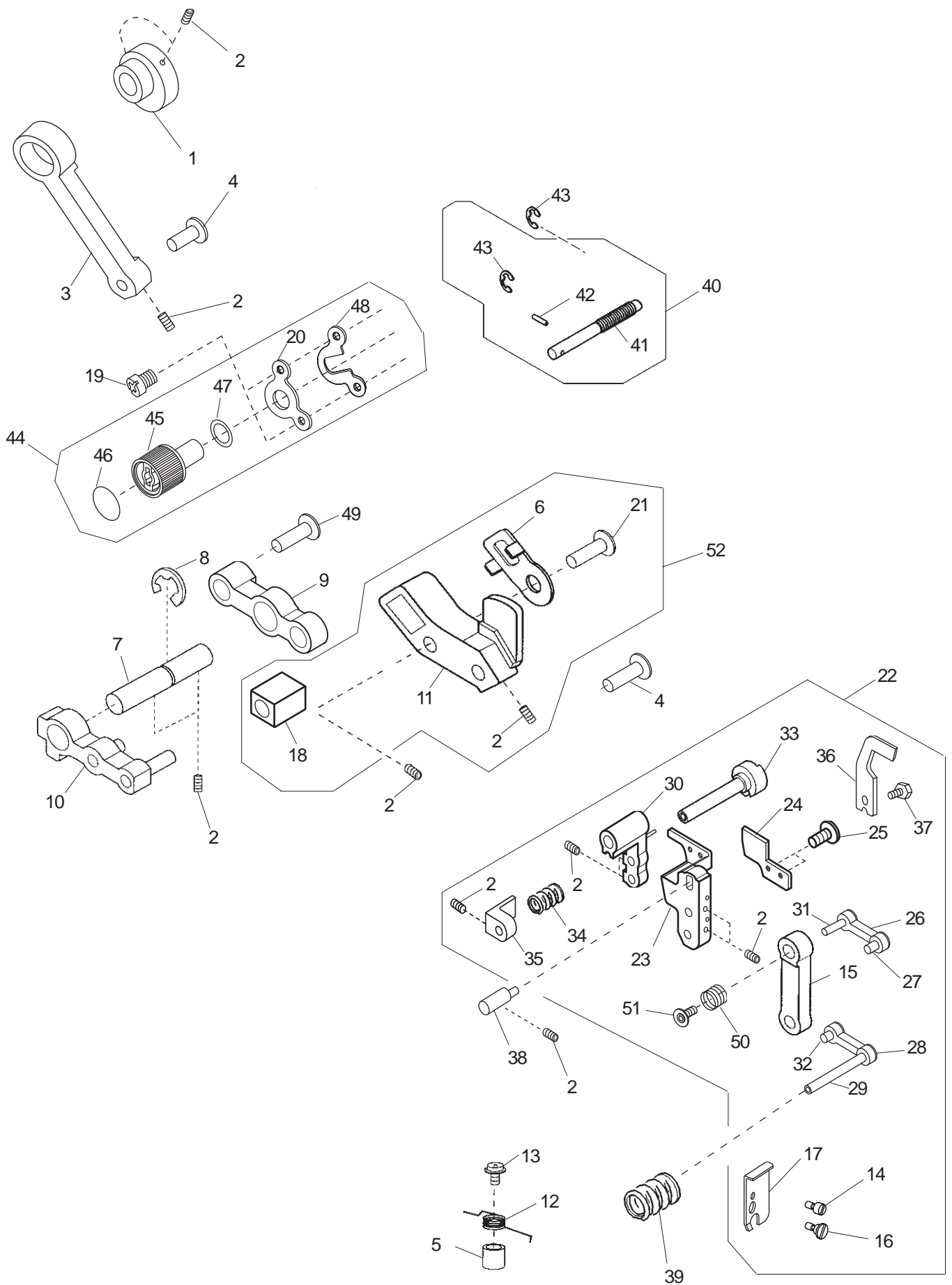
**MY/LOCK 744D**



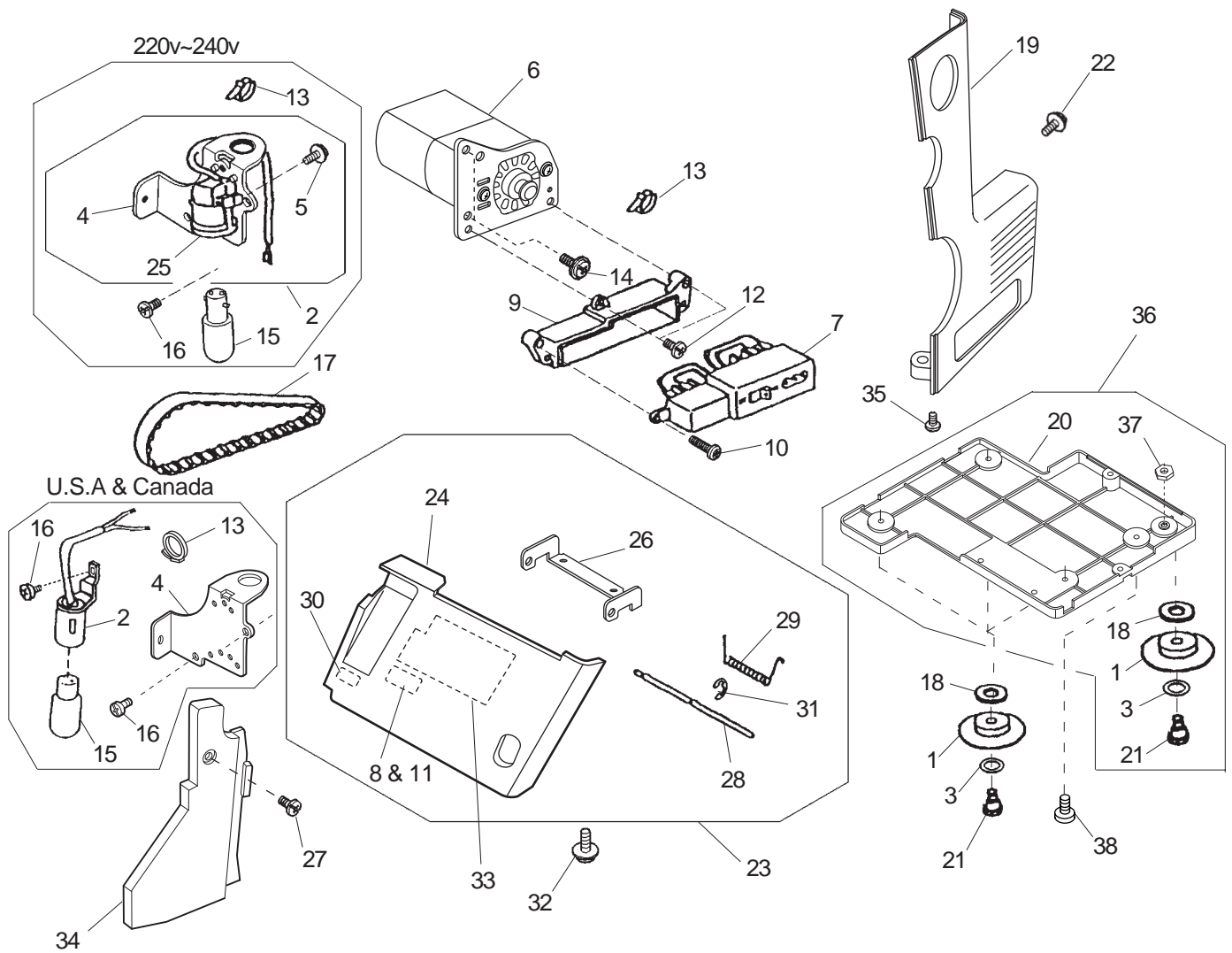
Ref.	Part No.	Name
1	794074007	Thread guide cover
2	794617101	Panel cover unit
3	794072201	Window
4	000149301	Setscrew 3x8
5	794071200	Panel cover
6	788059007	Thread take-up lever cover
7	788061002	Thread guide (L)
8	000161309	Setscrew 3x12
9	788060001	Thread guide (R)
10	000120203	Setscrew 3x8
11	000115607	Tapping screw 4x8
12	788107001	Needle thread guide
13	788063004	Needle thread guide
14	788108105	Slider
15	788065006	Slider set plate
16	788066007	Thread guide
17	788094004	Thread guide spring
18	788067008	Thread guide set plate
19	000104913	Setscrew 3x16
20	788109003	Looper thread guide (2)
21	788615007	Looper thread guide unit
22	788068009	Looper thread guide
23	788069000	Sub thread tension set plate
24	788070004	Sub thread tension plate
25	788071005	Sub thread tension spring
26	788072006	Thread tension screw
27	788092002	Thread tension screw set plate
28	000101116	Setscrew 3x4
29	000078319	Setscrew 3x6
30	788616101	Sub thread tension holding plate unit
31	788074008	Sub thread tension holding plate
32	788075009	Thread tension connecting link (1)
33	788076000	Thread tension connecting link (2)
34	000002507	Snap ring E-4
35	788077001	Thread tension connecting link (3)
36	788129009	Thread tension connecting link (4)
37	000002105	Snap ring E-3
38	788073007	Thread tension release spring
39	788078002	Thread tension release Plate (1)
40	788079003	Thread tension release Plate (2)
41	000101105	Setscrew 3x4
42	788081008	Spring
43	000070506	Washer 4
44	794073006	Threading chart
45	000081016	Setscrew 4x8
46	000149002	Setscrew 3x10
47	724025006	Sticker



Ref.	Part No.	Name
1	788609008	Upper looper shaft unit
2	788039001	Upper looper shaft
3	784076019	Upper looper
4	000112501	Hexagonal socket screw 4x4
5	784077009	Upper looper thread guide 3
6	000177205	Hexagonal socket screw 3x6
7	788040005	Spreader base plate
8	788041006	Setscrew 4x6
9	789116006	Upper looper pin
10	792614009	Upper looper shaft guide unit
11	792038003	Upper looper shaft guide
12	792039004	Bushing
13	787106007	Ring
14	000111201	Hexagonal socket screw 4x4
15	787104005	Bushing
16	794062002	Lower looper crank shaft
17	787107101	Crank spacer
18	787108009	Crank set screw
19	794615006	Lower looper unit
20	794063003	Lower looper base (2)
21	784083606	Lower looper
22	000078320	Setscrew 3x6
23	787383000	Rear needle guard
24	785023003	Front needle guard
25	000099006	Hexagonal socket screw 3x4
26	789112002	Upper looper waving arm
27	000138008	Hexagonal bolt 4x16
28	788038000	Lower looper thread guide
29	000111304	Hexagonal socket screw 5x5
30	792048006	Ring
31	000002105	Snap ring E-3
32	794067007	Hinge screw (2)
33	794068008	Lower looper spring
34	794066006	Looper thread guide (3)
35	788047002	Hinge screw (1)
36	794065108	Looper thread guide
37	794064004	Set plate
38	794061001	Upper looper crank shaft
39	000110107	Hexagonal socket WP screw 5x5
40	785010203	Lower looper thread guide
41	000103004	Setscrew 3.5x6
42	794143008	Supporting plate
43	000101404	Setscrew 4x6
44	794145000	Protector
45	000081016	Setscrew 4x8

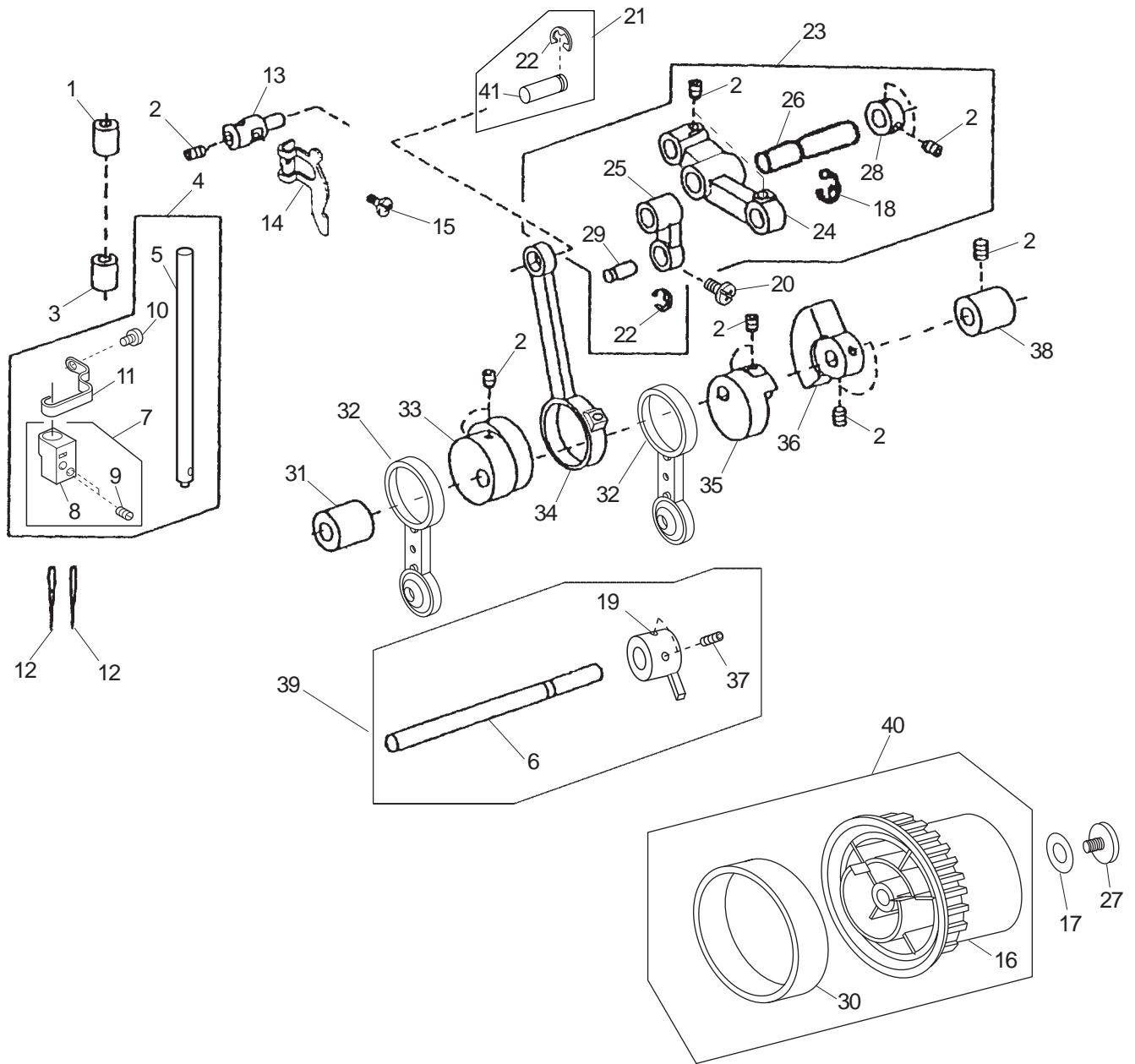


Ref.	Part No.	Name
1	794008000	Upper knife drive cam
2	000111201	Hexagonal socket screw 4x4
3	794009001	Upper knife connecting rod
4	888100007	Pin
5	000206606	Bushing
6	794126005	Slide block supporter
7	794123002	Upper knife driving shaft
8	000002909	Snap ring E-7
9	794121000	Upper knife driving arm
10	794122001	Upper knife release arm
11	794124003	Upper knife oscillating arm
12	794137009	Spring
13	000201405	Tapping screw 4x16
14	794082008	Guide screw
15	794128007	Upper knife rink
16	794081007	Hinge screw
17	794080006	Guide plate
18	794017013	Block
19	000081005	Setscrew 4x8
20	794031002	Support plate
21	794127006	Pin
22	794629003	Upper knife drive arm unit
23	794021009	Lower knife bracket
24	794022000	Lower knife
25	000102221	Setscrew 4x6
26	794023001	Upper knife link (Upper)
27	794025003	Link pin (S)
28	794019004	Upper knife link (Lower)
29	794024002	Lower knife shaft
30	794018003	Upper knife connecting arm
31	794020008	Link pin (L)
32	787059107	Pin
33	888054016	Upper knife supporter
34	794104007	Spring
35	794105008	Spring bracket
36	794026004	Upper knife
37	624303008	Hexagonal bolt 4x6
38	794027005	Lower knife pin
39	888231008	Spring
40	794607005	Lower knife pin unit
41	794028006	Lower knife pin
42	000003508	Pin 2x8
43	000002105	Snap ring E-3
44	794608006	Lower knife knob unit
45	794029007	Lower knife knob
46	888207005	Sticker
47	000116701	Washer
48	794030001	Guide plate
49	789013002	Pin
50	794106009	Spring
51	000193104	Tapping screw 3x4
52	794633000	Upper knife oscillating arm unit

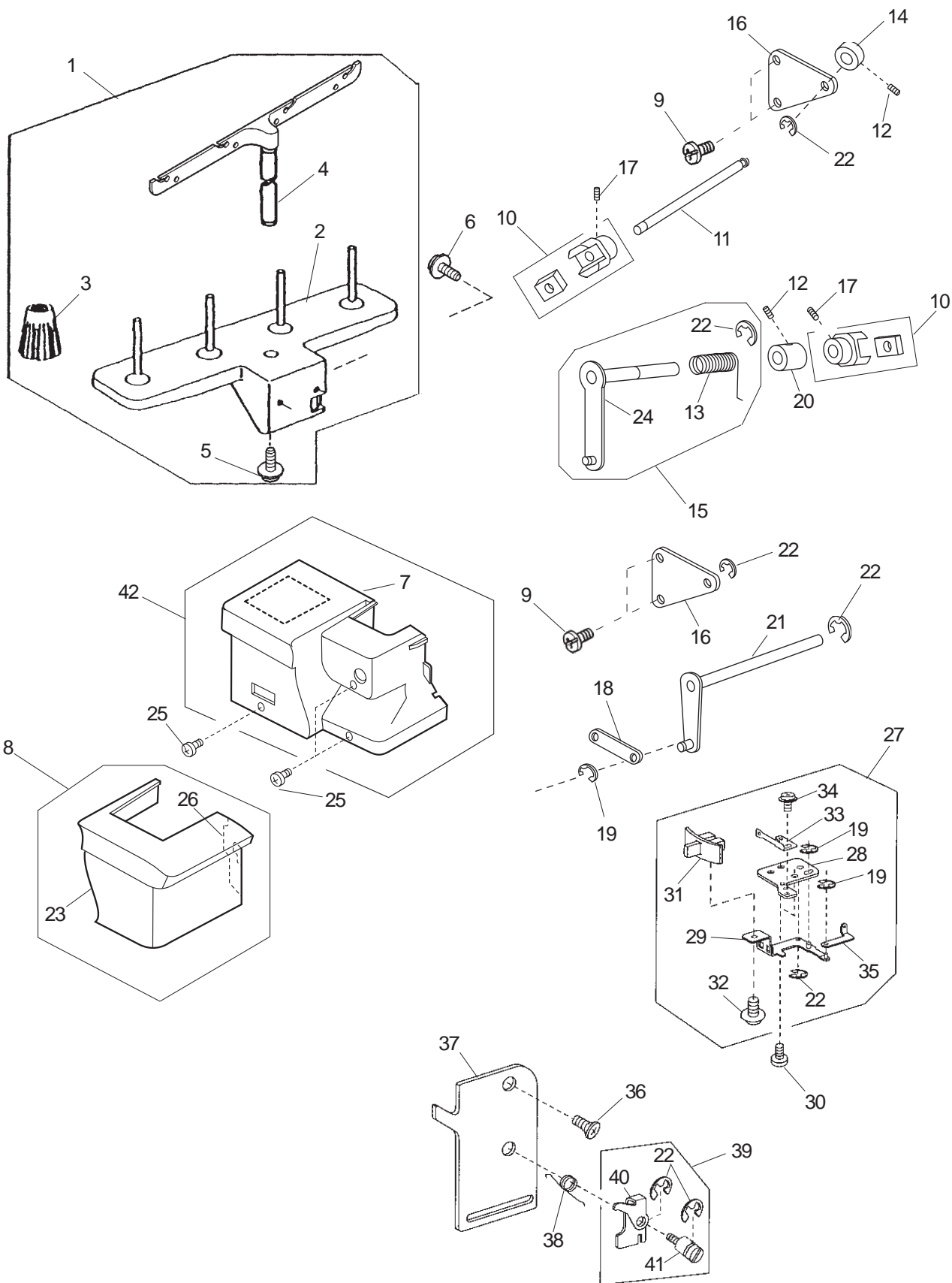




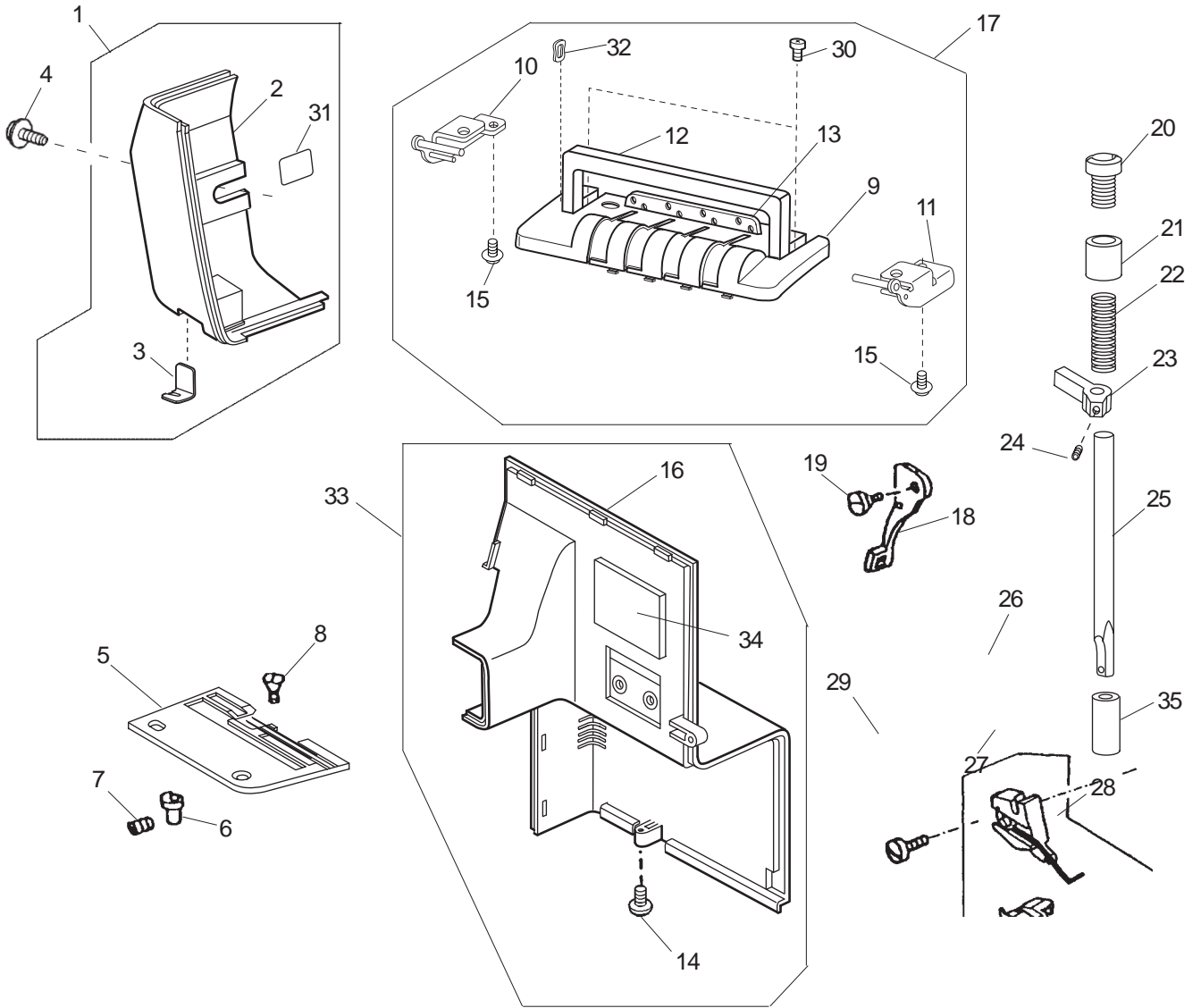
Ref.	Part No.	Name
1	784135006	Rubber cushion
2	787633008	Lamp socket com. unit (Canada)
	787510008	Lamp socket com. unit (U.S.A.)
	794626000	Lamp socket com. unit (220 - 240V)
3	000070300	Washer
4	794005007	Lamp socket set plate
5	000120203	Tapping screw 3x8 (B)
6	M-1031A	Motor unit (Canada)
	M-1079A	Motor unit (U.S.A.)
	M-2093A	Motor unit (Australia, U.K.)
	M-2068A	Motor unit (Continental Europe)
7	777502109	Plug con. rec. unit (220 - 240V)
	777504101	Plug con. rec. unit (120V)
8	100045000	Caution sticker (Canada)
9	794087003	Plug con. receptacle cover
10	000121905	Tapping screw 4x12 (B)
11	830312016	Caution sticker (U.S.A.)
12	000081005	Setscrew 4x8
13	000053008	Binder
14	000115504	Tapping screw 5x10
15	000009009	Lamp 240V 15WBA15D (220 - 240V)
	000009803	Lamp 120V 15W (120V)
16	000101404	Setscrew 4x6
17	784124002	Timing belt
18	785260004	Washer
19	794088107	Belt cover
20	794086105	Base plate
21	784169010	Hinge screw
22	000198316	Tapping screw 4X10 (B)
23	794619402	Looper cover unit (U.S.A.)
	794619608	Looper cover unit (Australia, U.K.)
	794619505	Looper cover unit (Continental Europe)
	794619701	Looper cover unit (Canada)
24	794078207	Looper cover
25	655681434	Lamp socket com. Unit
26	792026008	Looper cover supporter
27	000078320	Setscrew 3x6
28	792027009	Looper cover shaft
29	792028000	Looper cover spring
30	888261007	Sticker (English)
	888262008	Sticker (German)
31	000002105	Snap ring E-3
32	000115205	Tapping screw 4x6
33	789028000	Sticker
34	794079002	Looper cover guide
35	000198305	Tapping screw 4x10 (B)
36	794628105	Base plate unit
37	000061205	Nut
38	000103509	Setscrew 4x10



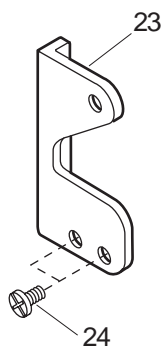
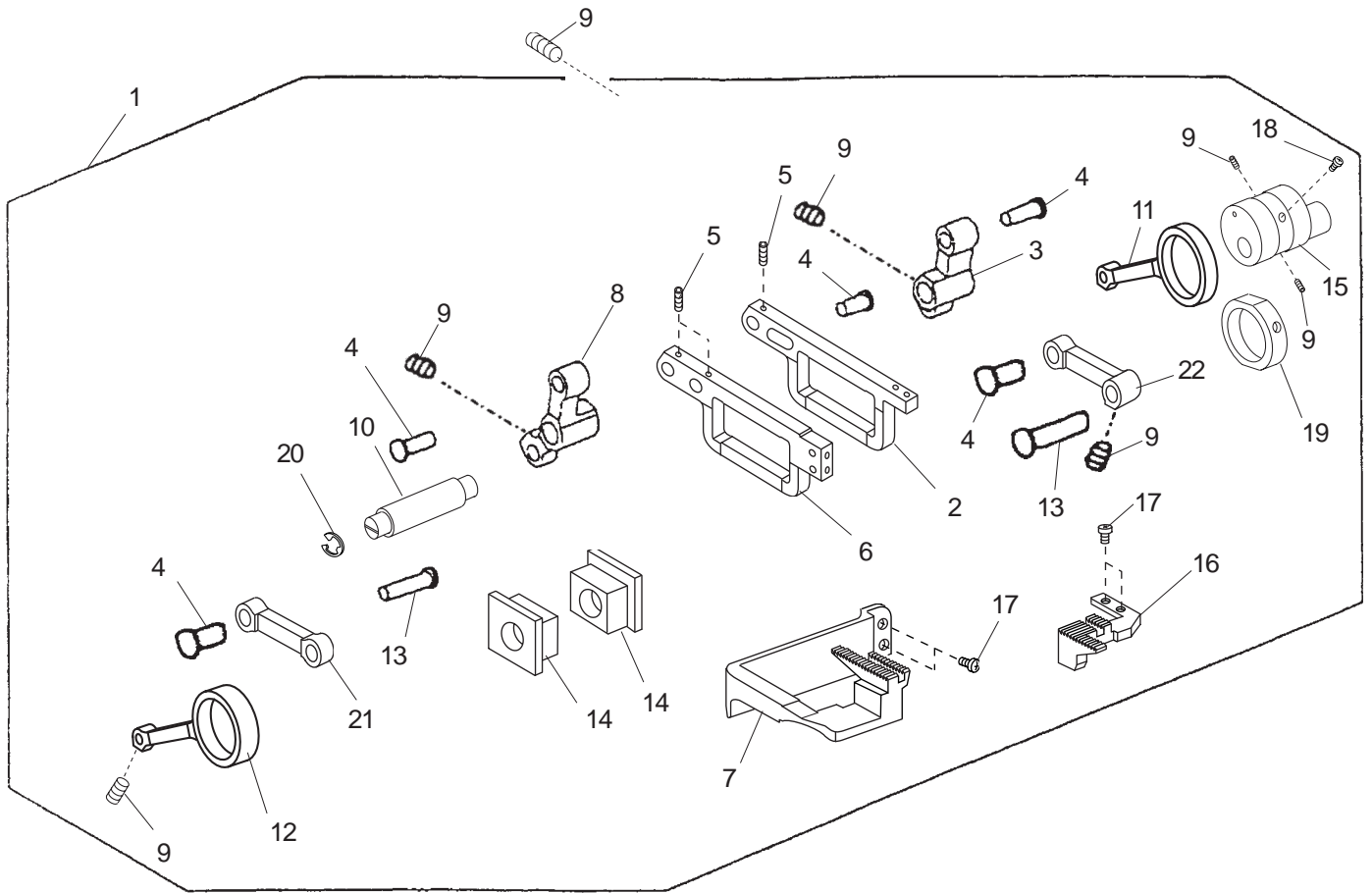
Ref.	Part No.	Name
1	784027004	Needle bar upper bushing
2	000111201	Hexagonal socket screw 4x4
3	784028005	Needle bar lower bushing
4	792601003	Needle bar unit
5	792001007	Needle bar
6	794003005	Main shaft
7	792501002	Needle clamp screw unit
8	792002008	Needle clamp
9	888264000	Needle clamp screw
10	000078320	Setscrew 3x6
11	792003009	Needle bar thread guide
12	784157015	Needle HAx1 SP-14
13	784024001	Needle bar bracket
14	788004007	Take-up lever
15	000078319	Setscrew 3x6
16	794004109	Hand wheel
17	556047007	Washer
18	000002909	Snap ring E-7
19	792041010	Balance ring
20	000081005	Setscrew 4x8
21	789103000	Needle bar balancer pin unit
22	000001609	Snap ring E-5
23	789612007	Needle bar crank unit
24	789104001	Needle bar crank
25	789007003	Needle bar link
26	789008004	Needle bar crank shaft
27	618070004	Screw
28	624245001	Ring
29	784022009	Link pin
30	793012004	Rubber sheet
31	789002008	Bushing
32	792951001	Looper cam ring
33	787007203	Needle bar cam
34	789004103	Needle bar crank rod
35	787004107	Upper looper cam
36	787176008	Balance weight
37	000111304	Hexagonal socket screw 5x5
38	789003009	Bushing
39	794602000	Main shaft unit
40	794632009	Hand wheel unit
41	793013005	Pin



Ref.	Part No.	Name
1	789606008	Spool stand unit
2	777011003	Spool stand
3	784223105	Spool holder
4	789607009	Thread guide bar unit
5	000115700	Tapping screw 4x10
6	000114802	Tapping screw 4x12
7	794083205	Free arm cover
8	794620004	Side cover unit
9	000081005	Setscrew 4x8
10	785521006	Feed adjusting block unit
11	794049003	Main feed con. shaft
12	000111201	Hexagonal socket screw 4x4
13	794100003	Con. arm spring
14	650136009	Ring
15	794612003	Sub feed transfer shaft unit
16	794050007	Con. arm support
17	000111304	Hexagonal socket screw 5x5
18	787081005	Feed con. arm link
19	000002105	Snap ring E-3
20	625144002	Feed shaft bushing (Front)
21	794097006	Sub feed con. shaft
22	000001609	Snap ring E-5
23	794084000	Side cover
24	794051008	Sub feed transfer shaft
25	000081005	Setscrew 4x8
26	794085001	Side cover plate
27	794630007	Lever unit
28	794132004	Setting plate
29	794133005	Lever
30	810220003	Setscrew
31	794134006	Knob
32	000115205	Tapping setscrew 4x6
33	794135007	Spring
34	000114709	Tapping setscrew 3x4
35	794136008	Connecting plate
36	000102221	Setscrew
37	794138000	Fixing plate
38	794141006	Spring
39	794631008	Lever unit
40	794139001	Lever
41	794140005	Hinge screw
42	794627104	Free arm cover unit

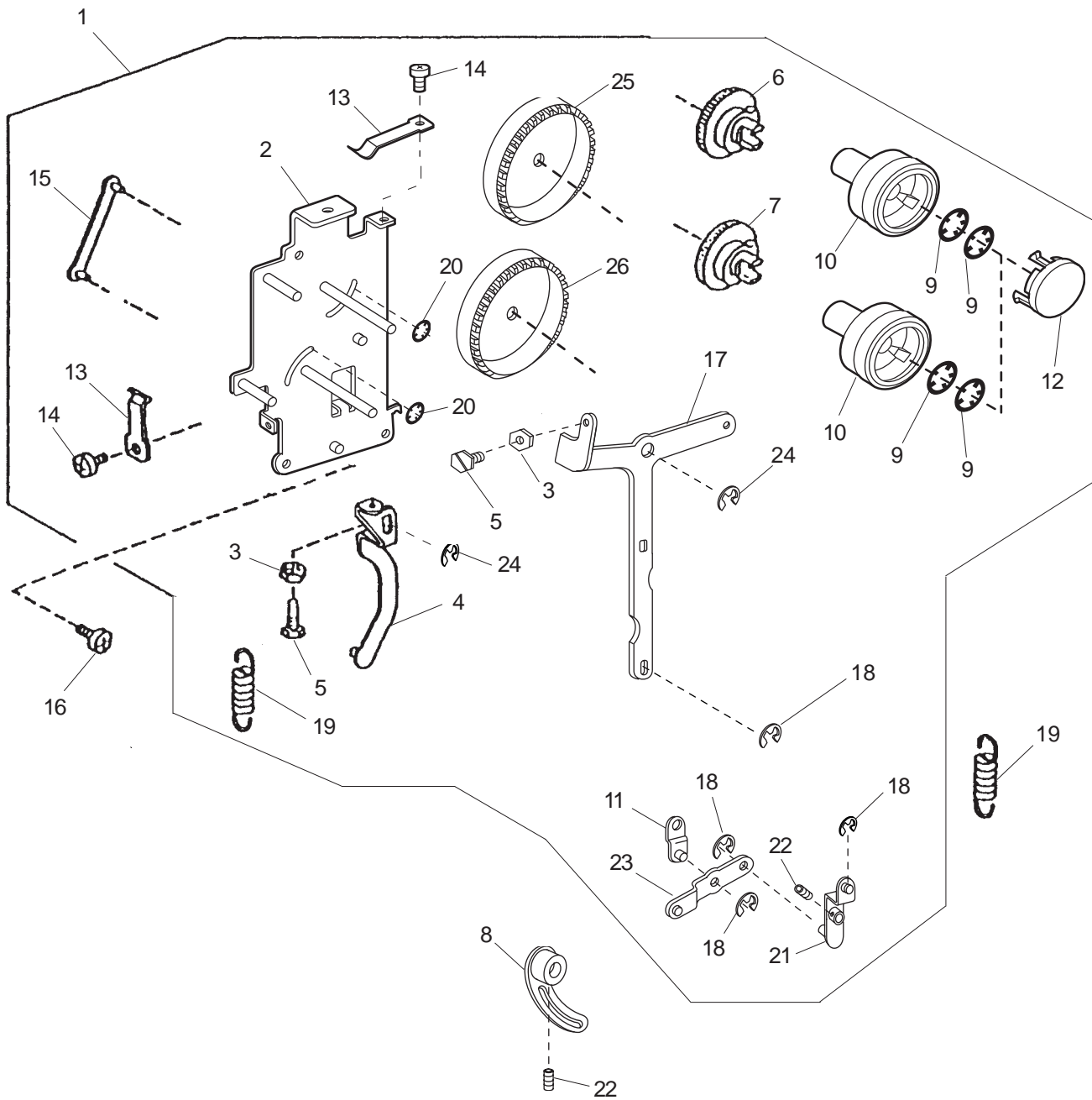


Ref.	Part No.	Name
1	794603001	Face plate unit (U.S.A., Canada & Australia)
	794603104	Face plate unit (U.K. & Continental Europe)
2	794007009	Face plate
3	840602006	Thread cutter unit
4	000115700	Tapping screw 4x10
5	794601009	Needle plate unit
6	789100007	Eccentric pin
7	000111902	Hexagonal socket screw 3x4
8	681009101	Plain screw
9	794089108	Top cover
10	794091000	Handle set plate (L)
11	794090009	Handle set plate (R)
12	794092104	Handle
13	794093002	Thread guide plate
14	000198305	Tapping screw 4x10 (B)
15	000120203	Tapping screw 3x8 (B)
16	794077103	Rear cover
17	794621108	Top cover unit
18	650032015	Presser lifter
19	810431009	Hinge screw
20	777013005	Presser adjusting screw
21	777002001	Bushing
22	787020006	Presser bar spring
23	794006008	Presser bar bracket
24	000111304	Hexagonal socket screw 5x5
25	787019002	Presser bar
26	788501009	Presser foot unit
27	787541008	Foot holder unit
28	788502000	Presser foot (lower) unit
29	660106001	Setscrew
30	000101404	Setscrew 4x6
31	100411104	Sticker
32	000116206	Wave washer 6
33	794634001	Rear cover unit
34	794110006	Rubber sheet
35	794142007	Bushing

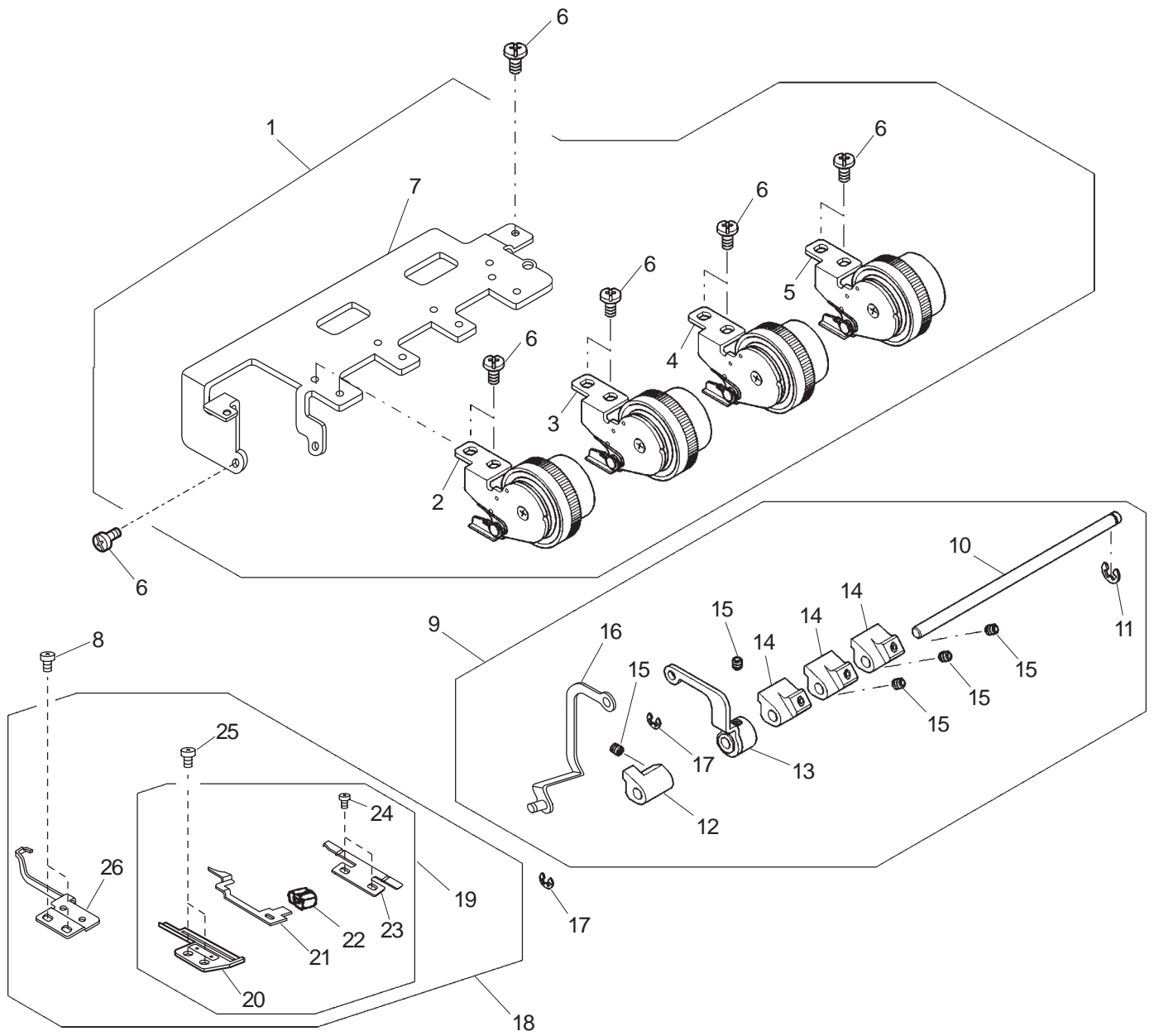




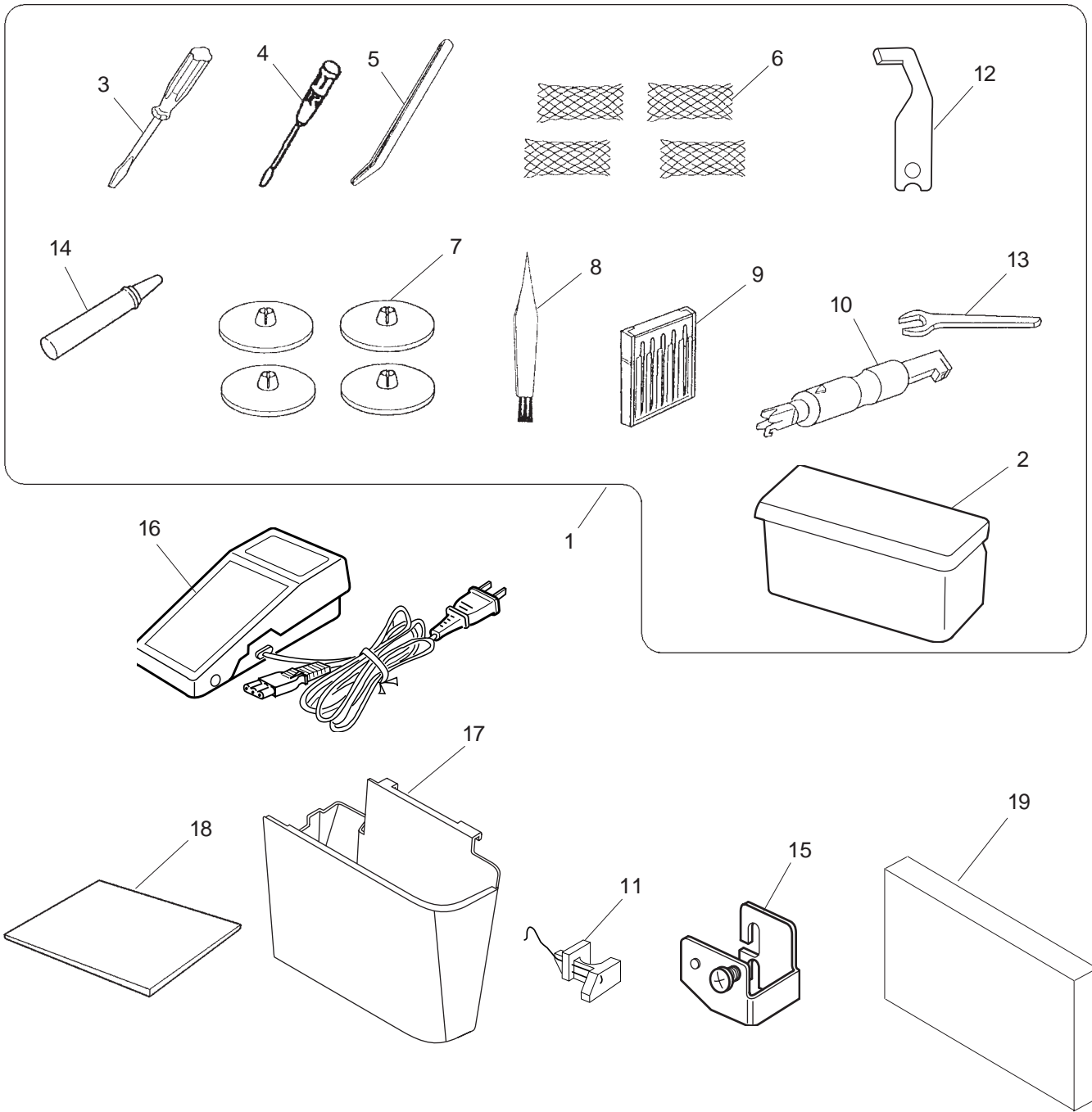
Ref.	Part No.	Name
1	794611002	Feed bar unit
2	794037008	Main feed bar
3	794038009	Main feed bar drive arm
4	787055000	Pin
5	000111902	Hexagonal socket screw 3x4
6	794039000	Sub feed bar
7	794048002	Sub feed dog
8	794040004	Sub feed drive arm
9	000111201	Hexagonal socket screw 4x4
10	888076003	Feed bar pin
11	787065003	Feed bar link
12	794144009	Sub feed link
13	888100018	Pin
14	792008004	Block
15	794045009	Main feed drive cam
16	794047001	Main feed dog
17	000066705	Setscrew 3x8
18	000103705	Setscrew 4x5
19	794046000	Ring
20	000002909	Snap ring E-7
21	794043007	Feed link (2)
22	794042006	Feed link (1)
23	794041005	Feed set plate
24	000081005	Setscrew 4x8



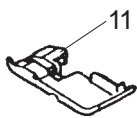
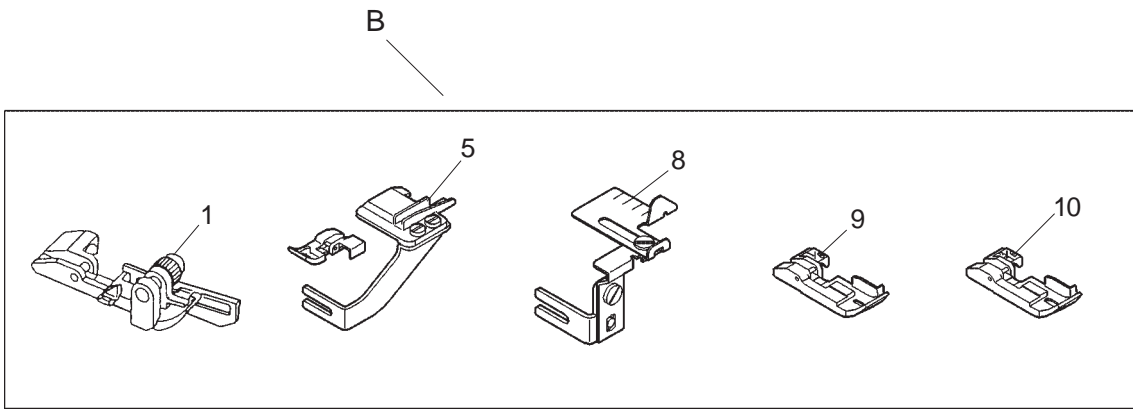
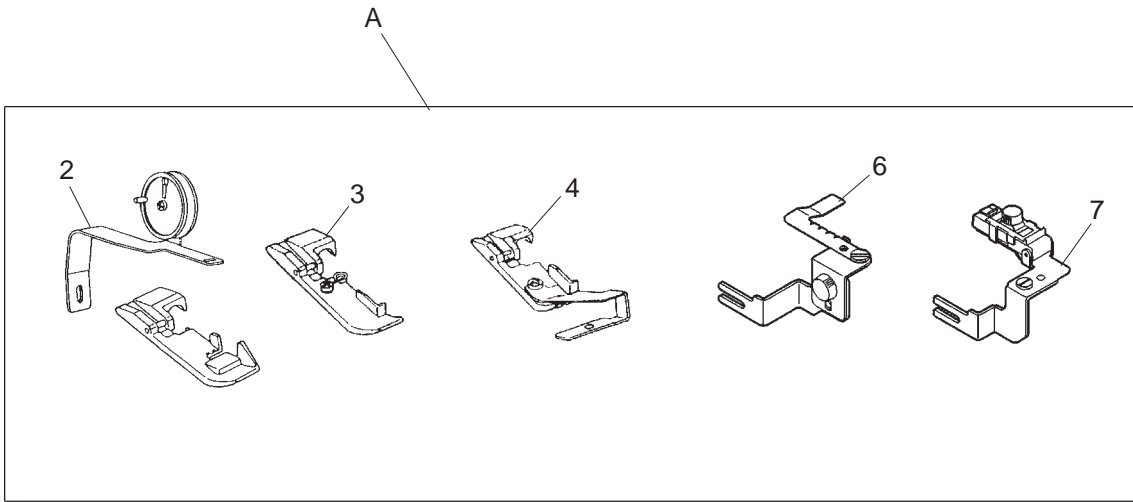
Ref.	Part No.	Name
1	794614005	Feed adjuster unit
2	794054001	Set plate
3	000160102	Adjustable nut
4	794056003	Differential rod
5	785224006	Adjustable screw
6	794057004	S. length adj. cam
7	794059006	Dif. adj. cam
8	794053000	Sub feed con. arm
9	000013800	Snap ring CS-6
10	794058108	S. length dial
11	788031003	Dif transfer arm
12	794099008	Dial cap
13	787263003	Spring
14	000081119	Setscrew 4x6
15	788037009	Link
16	000081005	Setscrew 4x8
17	794055002	Feed rod
18	000002105	Snap ring E-3
19	794103006	Spring
20	000014306	Snap ring CS-3
21	794052009	M. feed con. arm
22	000111201	Hexagonal socket screw 4x4
23	788030002	Feed con. plate
24	000001609	Snap ring E-5
25	794060103	Dial plate (feed)
26	794060158	Dial plate (differential)



Ref.	Part No.	Name
1	794616100	Thread tension set plate unit
2	788503908	Needle thread tension (L) unit
3	788504806	Needle thread tension (R) unit
4	788505807	Looper thread tension (U) unit
5	788506808	Looper thread tension (L) unit
6	000101404	Setscrew 4x6
7	794070003	Thread tension set plate
8	000078319	Setscrew 3x6
9	794618009	Thread tension release shaft unit
10	788054002	Thread tension release shaft
11	000002507	Snap ring E-4
12	788056004	Cam ring
13	794075008	Thread tension release lever
14	788095005	Cam ring (2)
15	000111201	Hexagonal socket screw 4x4
16	794076009	Thread releasing lever
17	000002105	Snap ring E-3
18	794609007	Chaining finger bracket unit
19	794610001	Chaining finger unit
20	794032003	Chaining finger set plate
21	794033004	Chaining finger
22	794034005	Needle plate setting knob
23	794035006	Chaining finger spring
24	000074603	Setscrew 2x4-2
25	000101105	Setscrew 3x4
26	794036007	Fixed needle guard



Ref.	Part No.	Name
1	794804004	Accessory unit
2	794095004	Accessory box
3	784810002	Screw driver (large)
4	792030005	Screw driver (small)
5	624801001	Tweezers
6	624806006	Net
7	822020503	Spool cap
8	802424004	Lint brush
9	784860100	Needle set
10	200254502	Needle threader
11	788618000	Spreader
12	794026004	Upper knife
13	784809008	Spanner
14	741814003	Oil
15	794622006	Attaching plate
16	C - 1028	Speed controller (U.S.A. & Canada)
	C - 2060	Speed controller (Continental Europe)
	C - 2065	Speed controller (Australia)
	C - 2048	Speed controller (U.K.)
17	794094209	Waste catcher
18	794800505	Instruction book (English/French/Spanish)
	794800608	Instruction book (German/French/Dutch)
	794800701	Instruction book (Norwegian/Swedish/Danish)
	794800804	Instruction book (Italian/Finnish/Spanish)
19	794805005	Instructional video tape (NTSC)
	794806006	Instructional video tape (PAL)





Ref.	Part No.	Name
A	200234104	Attachment set A
B	200235105	Attachment set B
1	200203104	Blind stitch foot
2	200204208	Taping foot with tape reel
3	200207108	Cording foot (1)
4	200208109	Cording foot (2)
5	200214108	Beading attachment
6	200217101	Gathering attachment
7	200218102	Elastic gathering attachment
8	200216100	Cloth guide
9	200219103	1/8" Piping foot
10	200220107	3/16" Piping foot
11	200248101	Gathering foot